

BGDSFA FULL ACCESS DOCK SEAL

FEATURES AND SPECIFICATIONS

Designed to accommodate 10' x 10' door openings, the BGDSFA is an ideal solution when full access to the trailer is required. Incoming trailers back safely through the vertical pads, forming a tight seal against the sides. The hook and loop split head curtain is raised and lowered to maintain an energy-efficient barrier without hindering access to the trailer interior.

Standard units seal trailers 12' to 13.5' high on a typical 4' dock height.

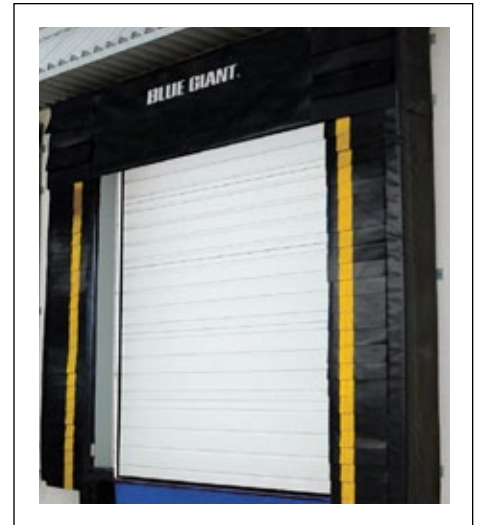
STANDARD FEATURES:

- 16" projection
- 22 oz. Hi-Tear vinyl base fabric
- Hook and loop-split adjustable head curtain measuring 11.3" wide x 16" projection, plus 30" drop curtain
- High visibility 24" yellow guide stripe
- Waterproof wraparound design with vapor barrier
- Condensation draining vents
- 99% memory foam
- 6" wear flaps to absorb extra abrasion at high-wear areas*
- Galvanized mounting hardware

For maximum value and performance, the BGDSFA can be constructed from our premium durability fabrics (see chart for materials, weights, and available colors).

ADDITIONAL OPTIONS INCLUDE:

- PVC drop curtain
- 4", 8", or 16" wear flaps / pleats to suit site requirements



BGDSFA Full Access Dock Seal

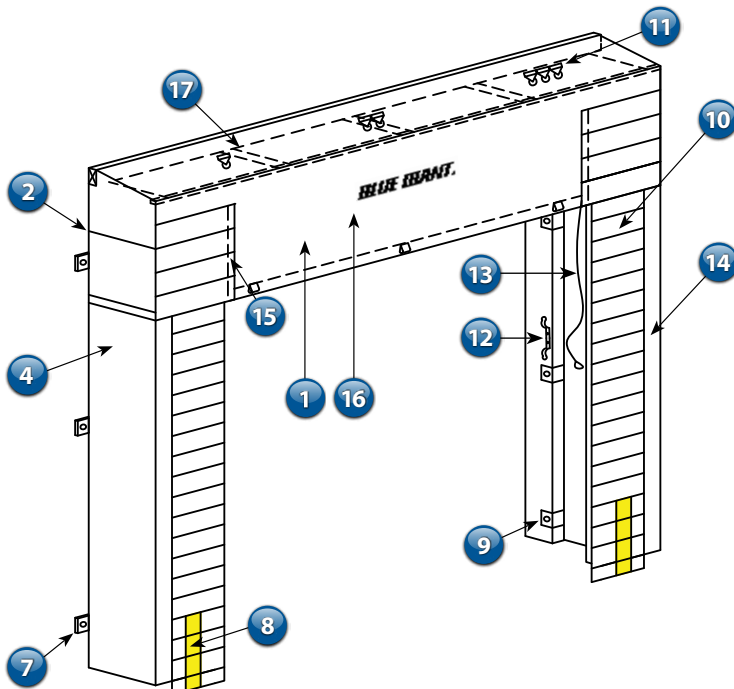
FABRIC AND COLOR SELECTION:

22oz Hi-Tear Vinyl	■	■	■	■
40oz Hi-Tear Vinyl	■	■	■	■
50oz Hi-Tear Vinyl	■			
16oz Hi-Performance Hypalon	■			
40oz Hi-Performance Hypalon	■			

No.	DESCRIPTION
1	Adjustable head curtain – Hook and loop split
2	End cap
3	Square tube curtain support †
4	L-Pad – Side Pad
5	Wood backboard – Kiln dried †
6	2" x 4" Mounting board†
7	Flat bracket
8	4" x 24" yellow guide stripe
9	Angle bracket
10	Protective wear flaps / pleats †
11	Pulleys
12	6" Aluminum rope cleat
13	Curtain retraction cord
14	L-Pad – Face pad
15	Hook and loop for curtain
16	Weighted head curtain
17	Stays

*Some items displayed may be optional

† Not shown on drawing



BLUE GIANT
BLUE GIANT EQUIPMENT CORPORATION

Corporate 85 Heart Lake Road South
Brampton, ON, Canada L6W 3K2
t 905.457.3900 f 905.457.2313

USP
UNITED STEEL PRODUCTS

Authorized Dealer:
United Steel Products, Inc.
3340 127th Place Flushing NY 11368
t. 718.478.5330
www.unitedsteelproducts.com

14