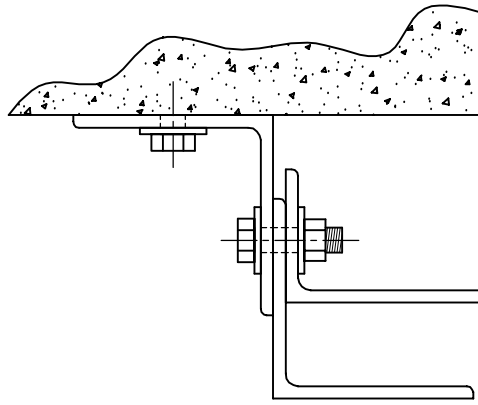


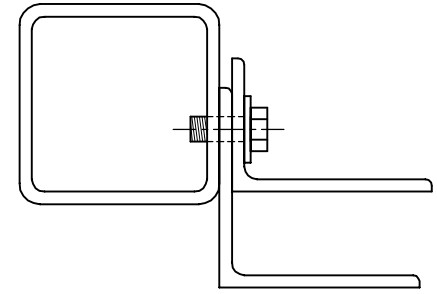
FACE OF WALL
E-MOUNT TO STEEL

CODE EST



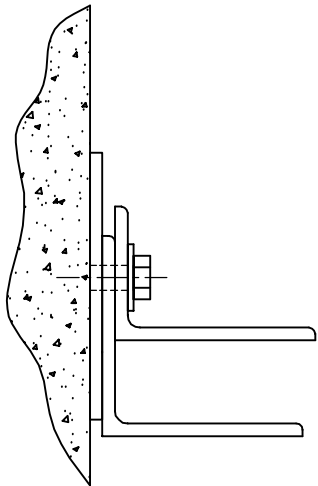
FACE OF WALL
Z-MOUNT

CODE ZMA



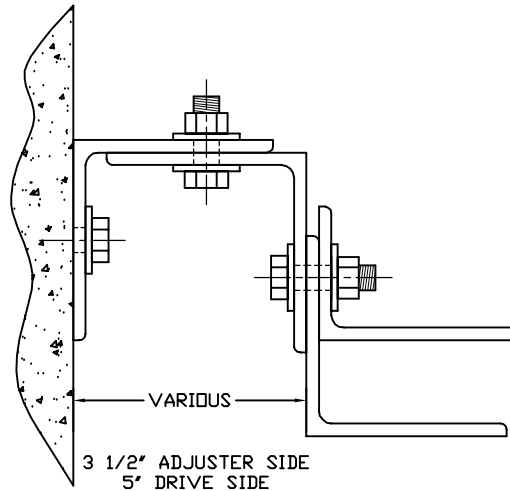
TUBE MOUNT

CODE ETU



IN JAMB MOUNT

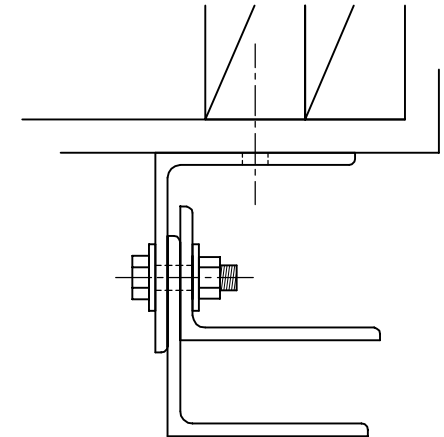
CODE IJI



VARIOUS
3 1/2" ADJUSTER SIDE
5" DRIVE SIDE

BETWEEN JAMB MOUNT

CODE BMA



FACE OF WALL
E-GUIDE TO FRAMED WALL

CODE EDS

TITLE: MODEL 200-225-250
GUIDE MOUNT OPTIONS

STANDARD 3" GUIDE SHOWN
REFER TO GUIDE DETAIL TEMPLATE DRAWING
FOR ALL DIMENSIONS

SCALE: --	DATE: 03/29/05	DRAWN BY: R.F.	CHECKED BY: P.V.
4.25 GUIDE PROJECTION	United Steel Products, Inc. 33-40 127th Place Flushing NY 11368		DRAWING NO.