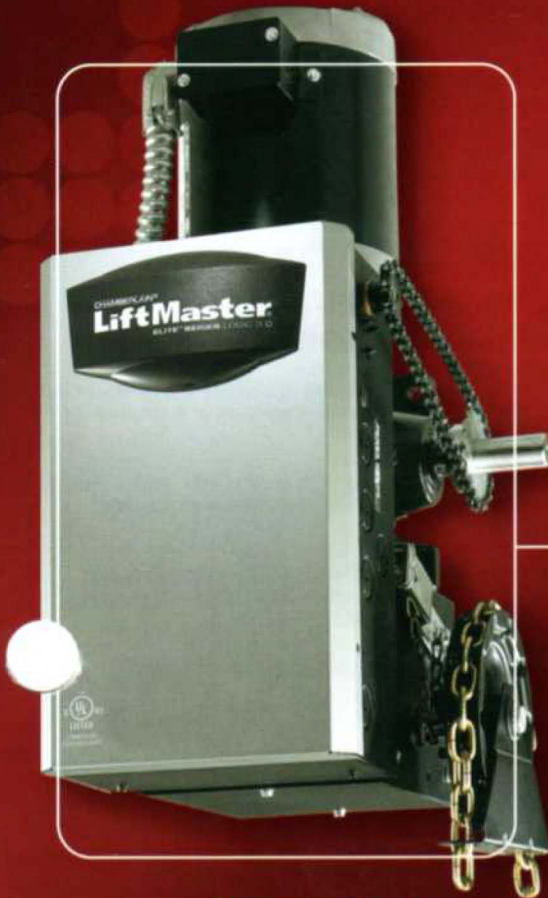


CHAMBERLAIN®

LiftMaster
ELITE™ SERIES LOGIC 3.0

MODEL GH
COMMERCIAL DOOR
OPERATOR

USP
UNITED STEEL PRODUCTS



HEAVY INDUSTRIAL-DUTY GEAR-REDUCED HOIST OPERATOR

- Removable hinged electrical box cover
- Easily field-converted in seconds for left- or right-handed drive and hoist

Logic 3.0 Technology

More included features than ever before. Easier and faster to install.

Elite™ Series Commercial Door Operators are engineered, manufactured and tested to provide reliable service to meet the toughest commercial applications.

Added Value

- Built-in 3-channel, 315MHz radio receiver lets you add as many as 23 Security+® or unlimited DIP switch remote controls.
- All LiftMaster® 3-button remotes can be programmed for open/close/stop operation.
- Improved Maintenance Alert System™ lets you establish a routine maintenance schedule based on the number of cycles or calendar date. Includes self-diagnostic system that allows you to troubleshoot up to eight different error codes.
- Timer may be set to close in 5-second or 1-minute increments. LED flashes to show timer countdown.
- Thermal motor overload can now be easily reset from the 3-button floor level control station.
- Programmable mid-stop allows door to stop at mid-point during open travel.
- Programmable maximum run timer signals door to reverse or stop if closing time exceeds maximum by more than 10 seconds.

Reliability

- Switchless motor eliminates stuck start switch and motor malfunctions on single-phase operators, the industry's #1 cause of motor failure and callbacks.
- All high-voltage connections have been removed from the board for safer installation and improved reliability.
- 1-1/2-second delay-on-reverse helps prevent door and operator wear.

Programming Simplicity

- Selector dial replaces DIP switches for selecting wiring types and programming.
- Selector switch for failsafe and non-failsafe wiring types.
- Diagnostic LEDs speed installation and troubleshooting of more features including photo-eyes, mid-stop, timer and timer defeat.
- Motor direction jumper lets you change motor direction by simply moving a jumper.



Includes the Logic 3.0 board and the improved Maintenance Alert System™



Featuring built-in radio receiver
Compatible with up to 23 Security+®
or unlimited DIP switch remote controls
(Remote controls sold separately)

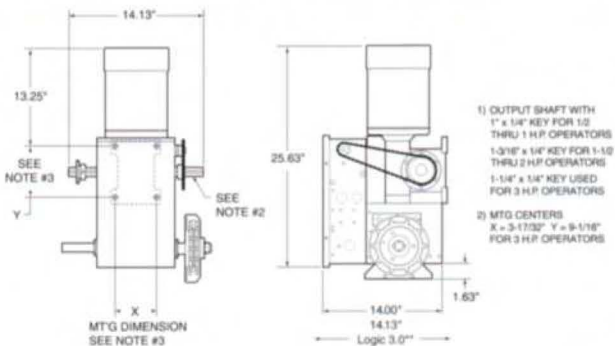
MODEL GH

COMMERCIAL DOOR
OPERATOR

Standard Features

- **Motor**
Continuous-duty high-starting torque motor with instant reverse and overload protection. Available in 1/2 HP to 5 HP; single- or three-phase. Capacitor start on single-phase. Removable without affecting limit switch settings.
- **Auxiliary Chain Hoist**
Reduced drive chain hoist with electrically interlocked floor level disconnect for manual operation. Hoist wheel is easily moved to right- or left-hand side of unit, eliminating the need to order left- or right-hand mounting.
- **Wiring Type**
B2, C2, D1 and E2 wiring types are all standard and easily selectable using the Logic 3.0 Control Board (L). T and TS wiring can be activated with the use of the CPS-L or CPS-LN4. Reversing Contactor Units (M) have C2 wiring standard and B2 available by simply moving a jumper wire. All operators are pre-wired to accept a sensing edge, photoelectric sensors, radio controls and most types of access control equipment. Failsafe wiring can be selected with the addition of a CPS-L, CPS-LN4 or failsafe edge and CPS3 card.
- **Brake**
Solenoid-actuated brake is standard.
- **Drive Reduction**
45:1 using heavy-duty gears running in oil bath. Cast iron housing. Special "all-climate" synthetic gear oil for greater low-temperature performance.
- **Bearings**
Sealed roller bearings in gear reducer.
- **Radio Receiver & External Radio Control Terminal**
315MHz radio receiver included as standard on Logic 3.0. Accepts up to 23 Security+™ remote controls and unlimited DIP switch remotes. External terminals provide quick, convenient connections for retrofitting or adding radio controls on logic or mechanical operators.
- **Push Button Station**
3-button station for open/close/stop functions is standard for all operators. Controls with 1, 2 and 3 buttons are available.
- **Emergency Disconnect**
Spring-loaded disconnect for emergency manual operation.

Technical Information:



Also Available... Mechanical Reversing Contactor Circuit (M)

(115V, 208/230V, 460V, 575V, 24V NEC Class 2 Circuit with 40VA transformer)

Industrial linear contactor provides significantly longer control runs than conventional contactors. Circuit provides easy selection between C2 and B2 wiring with the movement of a single wire.

Control Accessories and Options

- **CPS® Commercial Protector System®:**
CPS, CPS-L, CPS-N4, CPS-LN4 (recommended)
An inexpensive "non-contact" photo safety sensor designed to sense an obstruction and signal the door operator to reverse to open.
 - **Sensing Edge (recommended)**
Designed to sense an obstruction and signal door operator to stop or reverse as desired. Either an electric or pneumatic sensing device can be added to bottom edge of door.
 - **Rolling Door Interlock Switch**
Interlock switch disables the operator control circuit when a manual door lock is engaged, preventing damage to the door and operator.
 - **Friction Clutch**
Adjustable inline friction clutch helps protect against damage to door and operator should the door meet an obstruction.
 - **Transmitters**
1- and 3-button transmitters available for Logic 3.0. 3-button transmitter can be programmed for open/close/stop functionality. Radio receiver and transmitters available for mechanical operators.
- ### Available Plug-in Options for the Logic 3.0 Control Board (L)
- **Timer-to-Close**
Automatically closes the door – programmable in 5-second or 1-minute increments. Part of the CPS-L, CPS and CPS-LN4 photo-eye packages or in the Logic 3.0 plug-in card package.
 - **Auxiliary Contact**
Used to operate security, warning, heating or other 5V to 240V devices. Features both normally open and closed contacts that actuate in conjunction with limit switches.
 - **Warning Signal**
Provides safety warning prior to close (when using timer-to-close feature). Apartment warning light function for use with included red/green light module. System also supports audio warning devices.
 - **CPS3 Option**
Enables the addition of a second set of photo-eyes or 2- or 4-wire, self-monitoring edge.

Maximum Door Area (Sq. Ft.)

ROLLING	24 GA. STEEL	22 GA. STEEL	20 GA./18 GA. STEEL	16 GA. STEEL			
	ALUMINUM GRILLES	ALUMINUM DOORS	STEEL GRILLES				
SECTIONAL	24 GA./22 GA. STEEL		20 GA. STEEL	16 GA. STEEL			
	FIBERGLASS	ALUMINUM DOORS	WOOD DOORS				
			24 GA. STEEL INSULATED	20 GA. STEEL INSULATED	16 GA. STEEL INSULATED		
HORSEPOWER	1/2	325	300	275	250	225	175
	3/4	480	430	390	340	275	225
	1	650	560	500	430	325	300
	1-1/2			680	540	425	375
	2				640	560	460
3				875	840	620	
5	Call for details						

NOTE: On steel insulated doors, a 24-gauge back panel is assumed. If a heavier back panel is supplied, use the next higher HP rating.



CHAMBERLAIN®

LiftMaster®

THE CHAMBERLAIN GROUP, INC.
845 Larch Avenue • Elmhurst, IL 60126

www.liftmaster.com

USP™

UNITED STEEL PRODUCTS

33-40 127TH PLACE
FLUSHING, NY 11368
(718) 478-5330
www.unitedsteelproducts.com

©2005 The Chamberlain Group, Inc.
Printed in U.S.A., 8/05

Chamberlain reserves the right to make design or specification changes without notice.

LMCD30GH